

PRODUCT FEATURES

Security Box :	14 Gauge Lockable Door With 16 Gauge Side Panel
Foot Locker:	Mini Louvered 14 Gauge Front Panel, Single Point Latch With Padlock Eye & 14 Gauge Reinforced Seat

PRODUCT INFORMATION

Material :	Mild Cold Rolled Commercial Quality Steel
Finish :	Baked Pure TGIC Powder Coat
Construction :	Per Unit With Common Intermediate Uprights Separating Units
Door :	14 Gauge
Bottom :	16 Gauge
Door Frame :	16 Gauge
Door Ventilation :	Open Front
Top :	16 Gauge
Side :	16 Gauge Diamond Perforated / Solid Sides @ Corners & Walls
Back :	18 Gauge
Shelf :	16 Gauge
Interior Equipment :	(2) SGL Prong Wall Hooks, (1) Coat Rod Per Opening
Number Plate :	Polished Aluminum Plate, Riveted
Assembly :	Rivet

ACCESSORY INFORMATION

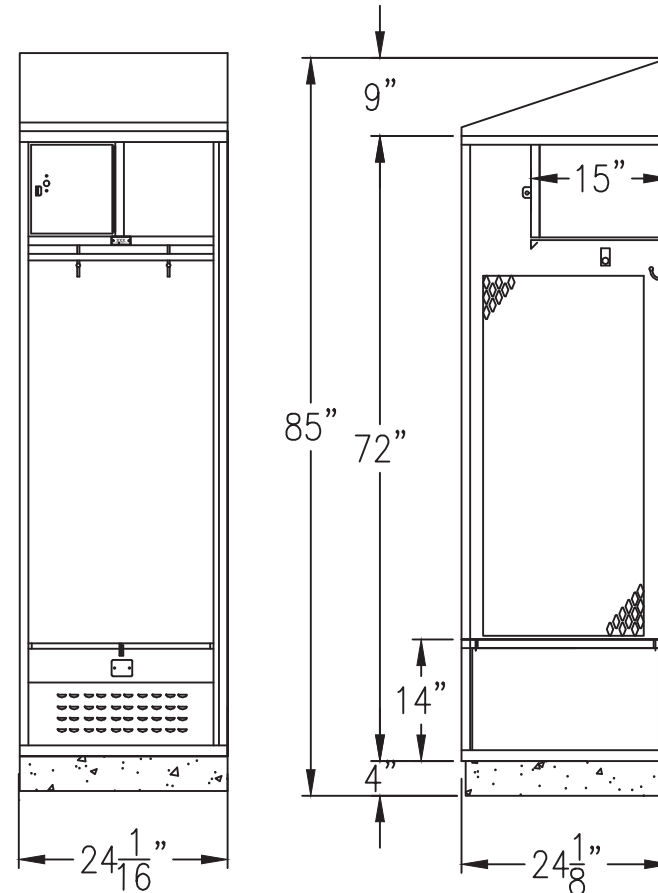
Slope Hood :	16 Gauge Continuous Slope Hood
Lock :	None Provided
Legs :	None Provided
Base :	4" High Concrete Base By Other
Recess Trim :	None Provided

Comments: Includes Security Box W/ 14 Gauge Door And 18 Gauge Combination Door Pull, Staple And Padlock Eye. Footlocker W/ Mini Louvered 14 Gauge Front Panel, Single Point Latch W/ Padlock Hasp And 14 Gauge Reinforced Seat.

Color : Please Advise Within Reasonable Variation

JOB INFORMATION

**Knockdown Openfront Series
W/ Security Box & Foot Locker
24 x 24 x 72"**



PLEASE BE ADVISED: Lockers Are Square And Measured Based On Square Walls. If Walls Are Not Square, Adjustments To Bases Will Need To Be Made At The Expense Of The Customer To Make Allowances For The Locker Sizes As Specified In The Shop Drawings.

Tolerances in Manufacturing Understood: Fractions $\pm \frac{1}{16}$ ", Decimals $\pm .02$, Degrees $\pm 20^\circ$

NOTICE: All Rights Reserved, ©2024. These Drawings Of Products Described Are Subject To All Patents And Copyrights Held By Lockers Manufacturing.



PLEASE BE ADVISED:
Shop Drawings Are To Ensure We Understand Your Request. Your Approval Of These Shop Drawings Overrides Any Other Specifications Or Documentation. Please Check And Approve As We Are Going To Manufacture Material As Shown On These Drawings.